

# 全自动无烟烧烤机

Automatic Smokeless Barbecue Machine



上海优易嘉机械设备有限公司

Shanghai Youyi Jia Machine Equipment Co.,Ltd



弘華坊



# Product Desciption

## 产品介绍

### 产品简介

#### Product Profile

弘串坊间品牌全自动无烟烧烤机是上海优易嘉机械设备有限公司设计生产的一款产品。致力于实现自动电加热无烟烧烤，符合当下的环保要求，烤制过程方便轻松，烤制工艺不会因人而异等问题。真正实现新手也可以做出美味烧烤，烧烤原来是可以这么轻松有趣！

弘串坊间 brand automatic smokeless barbecue machine is a product designed and produced by Shanghai Youyi Jia Machinery Co., Ltd. Committed to the realization of automatic electric heating smoke-free barbecue, in line with the current environmental requirements, baking process is convenient and easy, baking process will not vary from person to person and other issues. Real realization rookie can also make delicious barbecue, barbecue can be so easy and interesting!

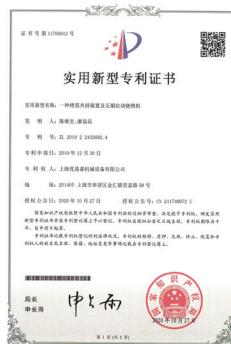
### 产品理念

#### Product Concept

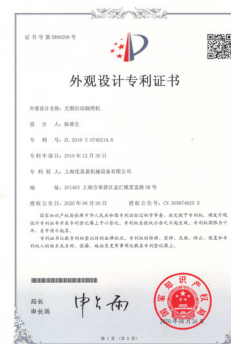
- 助力烧烤创业 Help barbecue star-up
- 创新烧烤服务 Innovate barbecue service
- 提高烧烤品质 Improve barbecue quality

### 产品专利

#### Product Patents



实用新型专利证书



实用新型专利证书

## 烧烤机参数

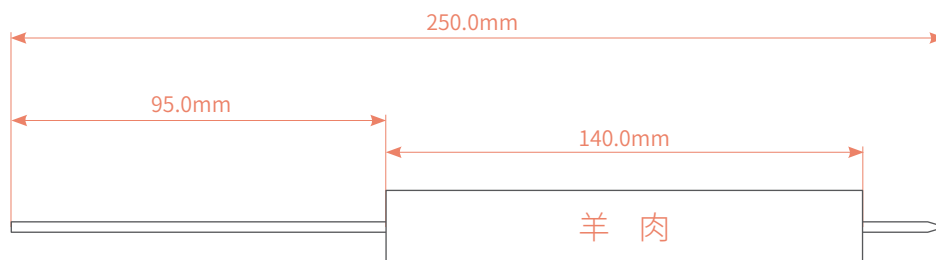
### Barbecue Machine Parameters

额定电压 Rated voltage	220 V 或 380 V V 220 or V 380
额定功率 Rated power	9000 W W 9000
温控范围 Temperature range	0~350° 0~350 degrees
烧烤自动运转速度 BBQ Auto Run Speed	0~10 mm/s 0~10 mm/s
竹签规格 Kebabs specification	3*250 mm 或 4*250 mm 3*250 mm or 4*250 mm
签码盘规格 Kebabs palletizing specification	40 串 40 strings
生产效率 Efficiency	根据菜品不同，出串频率 5~10 s/串 According to different ingredients, the kebab frequency is 5~10 s/pc

计算说明如下：满一圈为40串，每串间隔50.8mm,以25克羊肉串为例，烧烤温度设290度，烧烤移动速度为7mm/s,则每串间隔出串时间是： $50.8/7=7.26s$ ，另外1s自动上串停顿时间，则出串时间为8.26s;每小时可烤  $3600s/8.26s = 435$  串，每串从上串到出串总时间为 5.5min

The calculation is as follows: a full circle of 40 strings, 50.8mm, per kebab For example, the speed of 25g lamb kebab is set to 7mm/s, At  $50.8/7=7.26$  seconds, Another 1s auto - up the pause time, The string time is 8.26 seconds; Can produce  $3600 \text{ seconds} / 8.26 \text{ seconds} = 435$  kebab per hour, The baking time is 5.5 minutes.

串规格 Kebab specification	直径 50 mm以内，食材长度 140 mm以内 Diameter less than 50mm, food length less than 140mm
----------------------------	--



设备重量 Equipment weight	180 kg kg 180
--------------------------	------------------

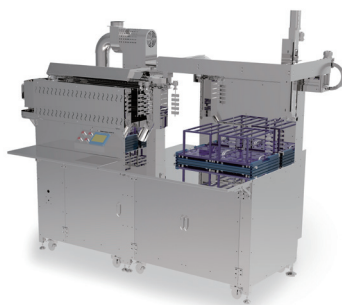
# Type specification

## 型号说明

机器型号	HC	P9000W	R/L	AUTO	C
型号说明	弘串坊间	功率 9000W	左或右机型	带自动上串	带油烟净化机
	Brand name	P9000W	Left or right model	Auto insert kebab	With fume purifer

### A 全自动烧烤机 (自动上烤串)

A Auto barbecue machine (auto insert kebabs)



型号 HC-P9000W-AUTO-L-C



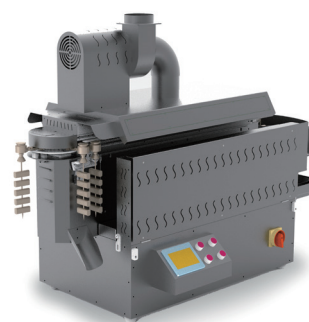
型号 HC-P9000W-AUTO-R-C

### B 桌上型烧烤机 (手动上烤串)

B Table barbecue machine (manual inser kebab)



型号 HC-P8000W-L



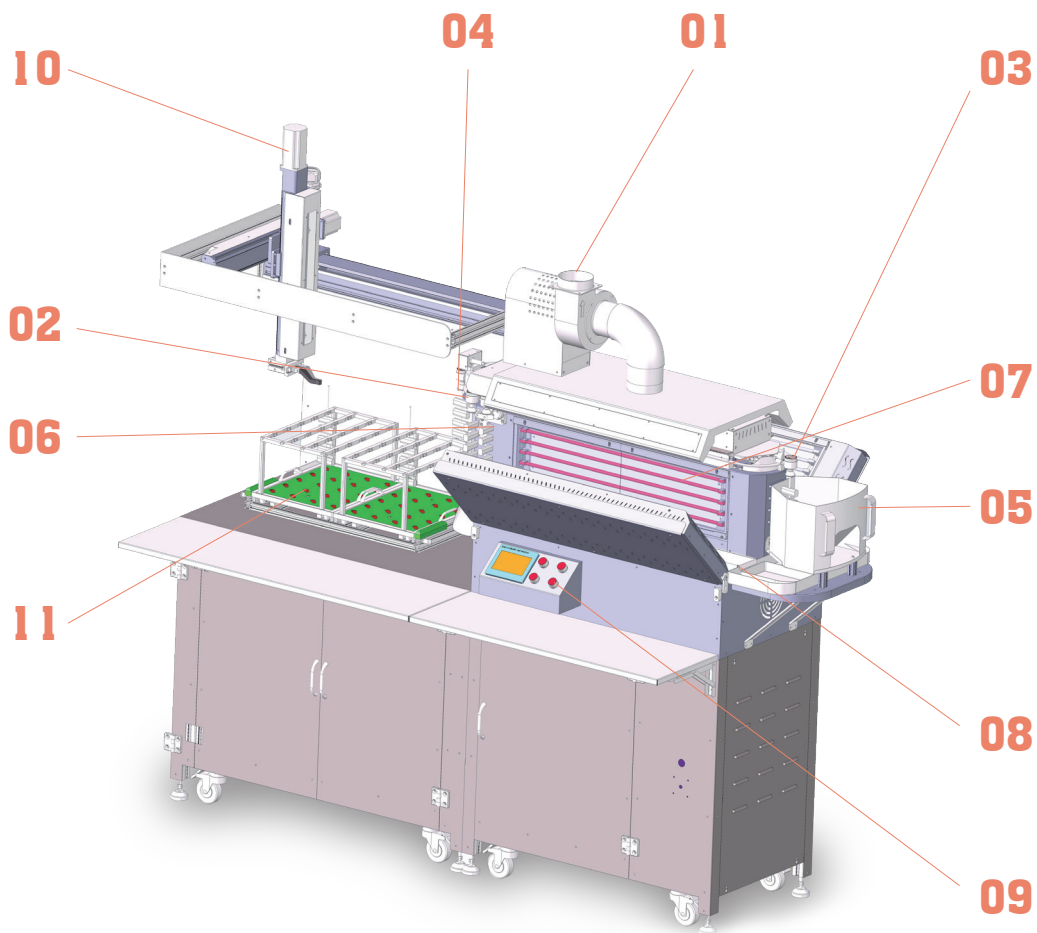
型号 HC-P8000W-R

# Structure of BBQ machine

## 烧烤机结构

### 无烟烧烤机组成部分

Smokeless BBQ machine unit into parts



## 功能介绍

### Function Description

8大技术创新，保障实现轻松有趣高品质烤串：

Eight Technological innovations to ensure easy and interesting high quality kebabs.



烤串立烤，两侧面加热，底部水槽接油，根本上解决烟味产生的因素

Kabab vertical baking, two sides heating, the bottom sink oil, fundamentally solve the problem of smoke.



电烤模式，实现快速预热，随时可以开关，实现能源高效利用，在烤制过程中串自动360度旋转

Electric baking mode to achieve rapid preheating, can switch at any time to achieve efficient use of energy, in the process of automatic 360 degree rotation.



可以手动上串，也可以机械手自动上串相结合，串插入后签夹自动夹紧，快速方便

It can be manually on the string, or the manipulator can be automatically on the string combination, string insert after the clip automatically clamped, fast and convenient.



温度智能控制，温度达到设定值后自动降功率运行，节约能源

Intelligent control of n temperature, automatic power reduction operation after temperature reaches set value, energy saving.



烤制速度数字精确控制，操作界面上可以预存20种食材烤制食材的工艺配方

Baking speed digital accurate control, operating interface can store 20 kinds of ingredients baking ingredients process formula.



烧烤机中段设有自动蘸酱功能，串在移动的过程中可以自动浸泡于酱料中无需人员介入

The middle section of the barbecue machine is equipped with automatic dipping function, which can be automatically immersed in sauce without personnel intervention during moving.



烧烤机两外侧可以放平，可以便于进行清洁工作

The two sides of the barbecue machine can be flattened and easy to clean.



可烤食材：玉米、羊肉串、牛肉串、鸡中翅、五花肉、面筋、肉肠、各类丸子、小馒头、蔬菜等，只要串得上没有烤不了！

Roasted ingredients; corn, banana, lamb kebabs, beef kebabs, chicken wings, chicken cormorants, pork, gluten, prawns, big sausage, Phoenix claws, palm treasure, meatballs, steamed bread, mushroom vegetables, etc.

## 结构详解

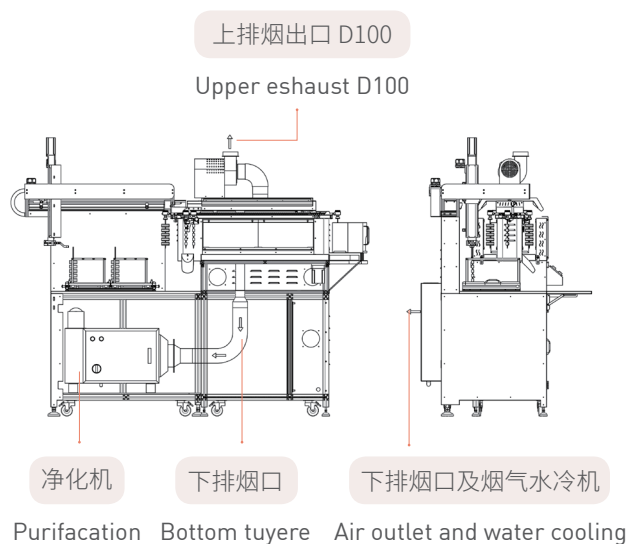
### 01

#### 排风组件

#### Exhaust components

上排烟或下排烟两者选其一，下排烟带净化机和烟气水冷机

The upper exhaust smoke or the lower exhaust smoke one of two options, the lower exhaust smoke belt purification and smoke water cooling machine



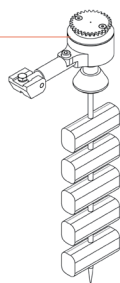
### 02

#### 竹签夹头

#### Kebab clip

竹签插入自动加紧

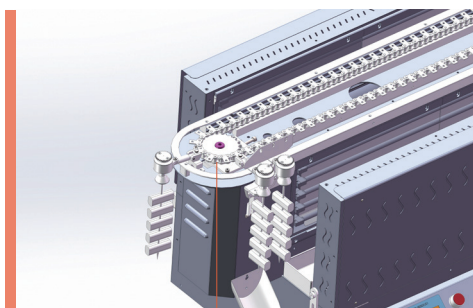
Automatic clamping of kebab





### 03 转动机构

Drive mechanism

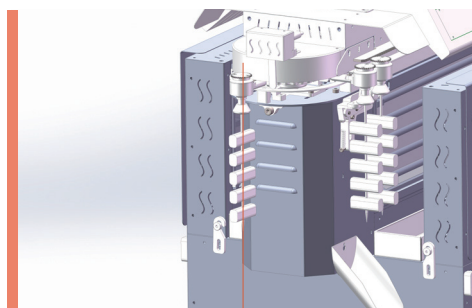


链条传动机构

Chain drive mechanism

### 04 上签处

Kebab stick in

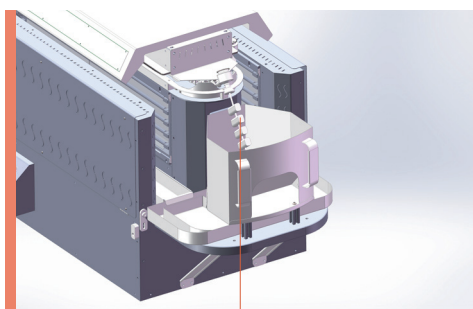


等待上签区域

Kebab automatic insertion waiting area

### 05 蘸酱料机构

Barbecue dipping sauce

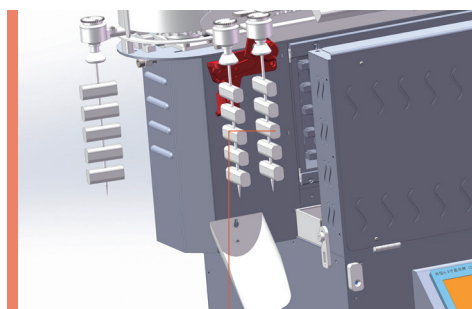


移动过程中串  
自动抬升下降蘸酱

Automatic lifting and dropping dip during movement

### 06 落签组件

Kebab abscission



串脱落机构，旋转一圈烤制好的串在此处会自动掉落

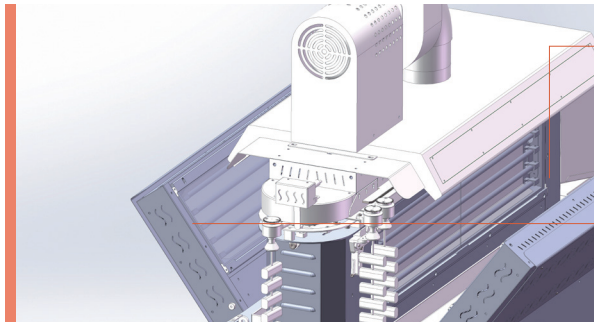
Kebab shedding mechanism, rotate a circle of roasted kebab here automatically drop



# 07

## 加热区

Heating area



内侧加热区

Inner heating area

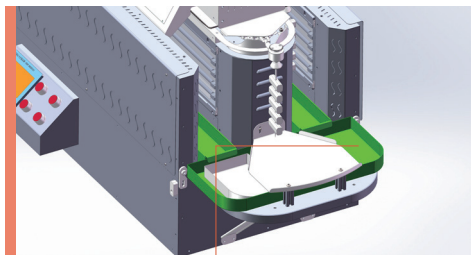
两侧加热区，可翻  
转度便于清洗

Heating area on both sides can be turned over for easy cleaning

# 08

## 接油槽

Oil groove



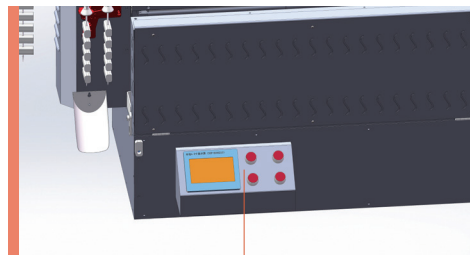
绿色显示部分是不锈钢水槽，接油作用

The green display part is stainless steel sink, which is connected with oil

# 09

## 电控界面

Control area



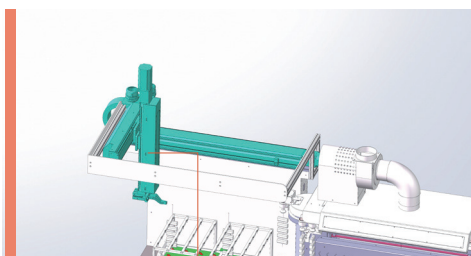
触控显示器

Touch Control Screen

# 10

## 机械手部分

Mechanical arm part



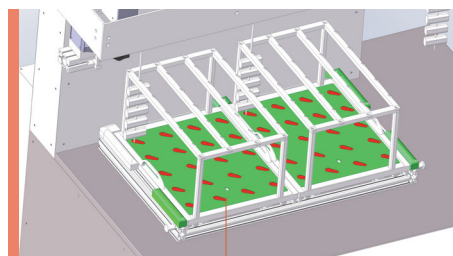
自动上签三轴机械手

Automatic insertion of kebab arm

# 11

## 摆签盘

Kebab stacking area



摆签码盘

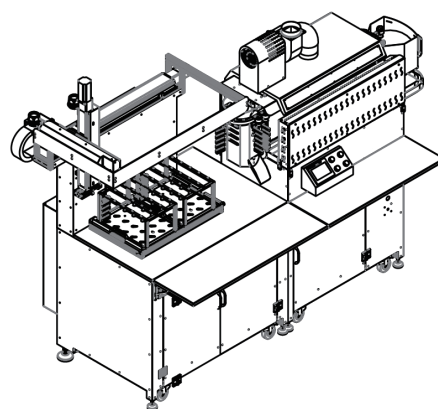
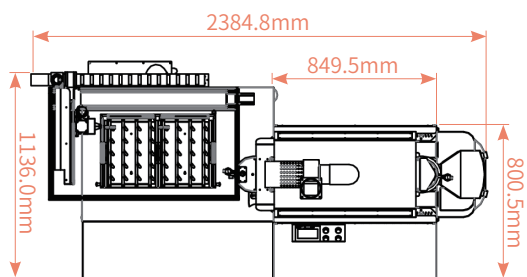
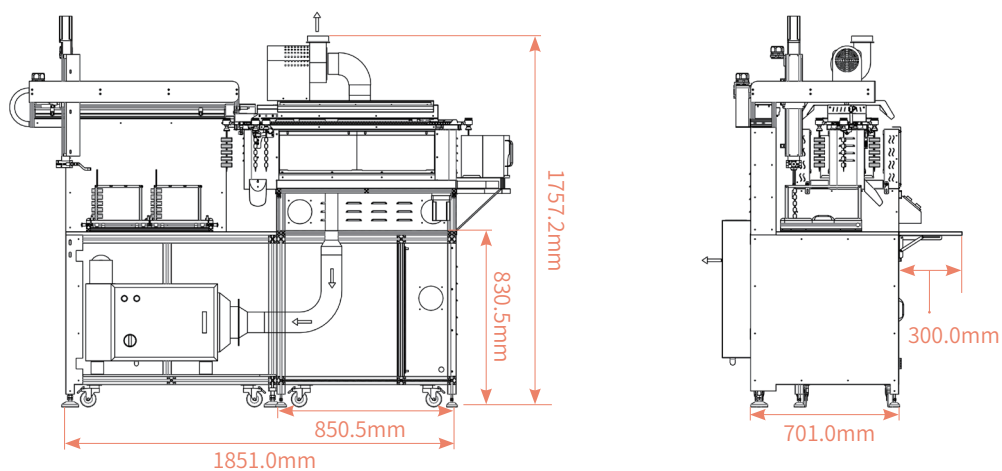
Kebabs palletizing area

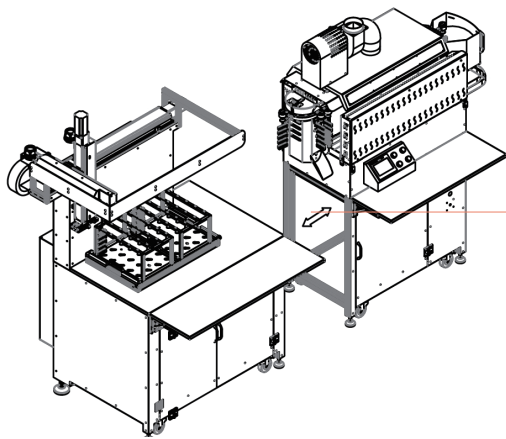
# Dimension of equipment

## 设备尺寸

### 带自动上串烧烤机尺寸

With auto insert kebab machine dimension



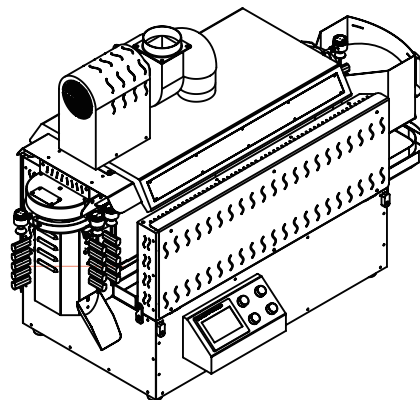
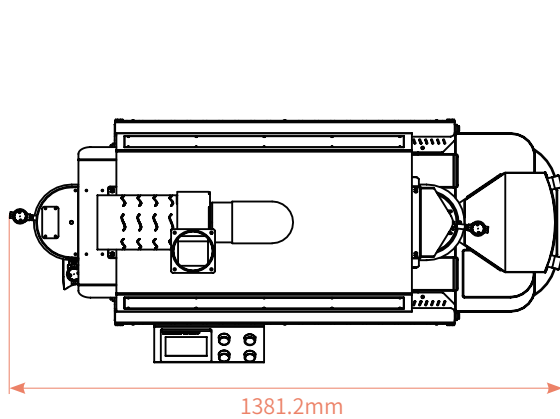
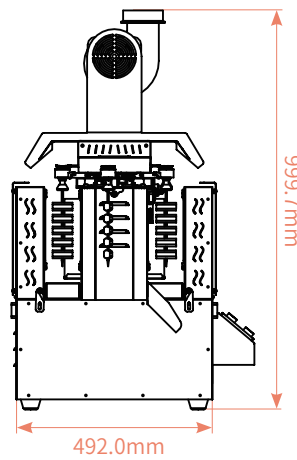
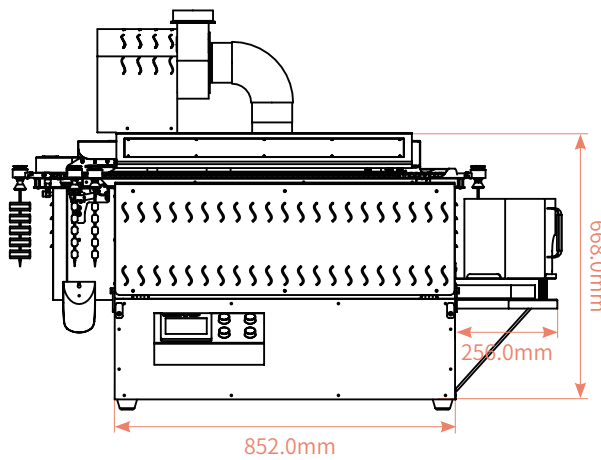


为便于搬运或因进户门太小，烧烤机可以拆分为两部分

For ease of handing or because the entrance door is too small, the barbecue machine can be divided into parts

## 不带自动上串桌上型烧烤机尺寸

No with auto insert kebab barbecue table machine

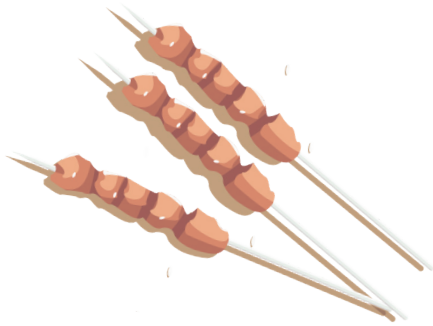


# Some picture of baked food

## 部分烤制菜品图样







串造未来 烤串 So Easy !



上海优易嘉机械设备有限公司  
Shanghai Youyi Jia Machine Equipment Co.,Ltd

地址 上海奉贤区金汇镇堂富路 58 号  
Add Tangfu Road No.58 Jinhui Town Shanghai

电话 0086-021-64118551 0086-131 6246 6476  
Tel 0086-021-64118551 0086-131 6246 6476

\* 因产品技术不断更新提升，产品的部分功能、外观和尺寸会有所不同，具体以实物为准，公司享有最终解释权。

\* Due to the continuous upgrading of product technology , part of the product function or appearance, size will be different,according to the physical object, the company has the right of final interpretation.